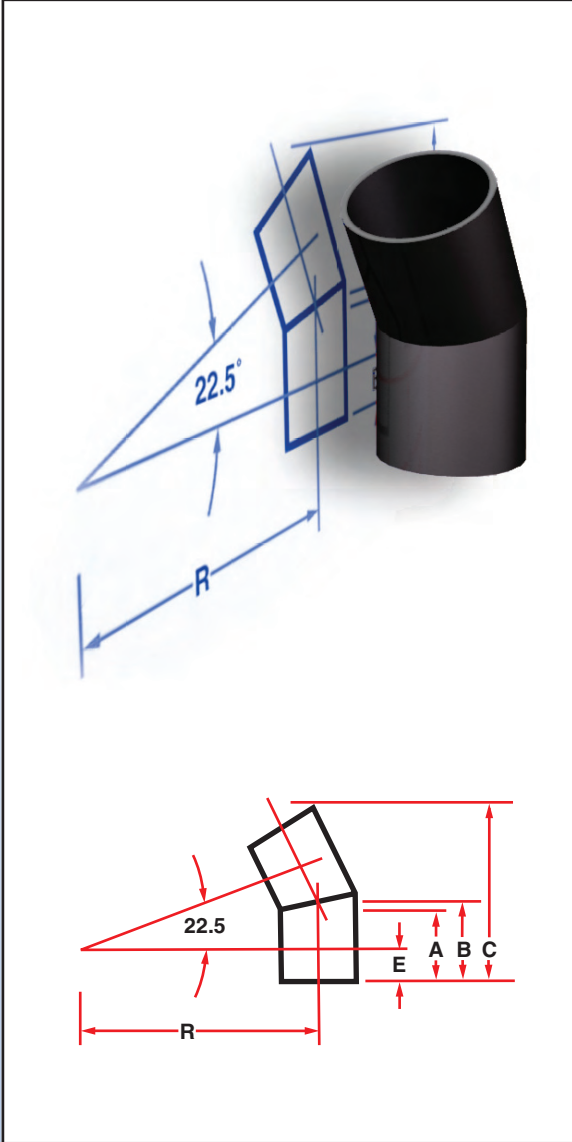




Anchorage - 5326 "A" Street Suite #3 • Anchorage, AK 99518 • (907) 677-9540 Fax (907) 677-9541  
 Big Lake - Mile 3.5 South Big Lake Road • Big Lake, AK 99652 • (907) 892-8440 Fax (907) 892-8408

Nominal Size (Inch)	Standard Dimensions Ratio	WPR @ 73.4°F	Dimensions, Inches					Weight Lbs	Fabricated	
			R	A	B	C	E			
2	7	200	6.5	3.0	3.3	6.5	1.5	0.5		
	11	120								0.5
3	7	200	7.4	3.0	3.5	7.4	1.5	1		
	11	120								1
4	17	75	11.6	5.0	5.8	11.6	2.5	0.5		
	7	200								3
	11	120								2
6	17	75	14.5	6.0	6.9	14.5	3.0	2		
	7	200								8
	11	120								5
8	17	75	15.5	6.0	7.1	15.5	3.0	4		
	7	200								13
	11	120								9
10	17	75	16.6	6.0	7.4	15.6	3.0	6		
	26	48								4
	7	200								19
	11	120								13
12	17	75	21.3	8.0	9.7	21.3	4.0	9		
	26	48								6
	7	200								36
	11	120								24
14	17	75	22.0	8.0	9.9	22	4.0	16		
	26	48								11
	7	200								43
	11	120								29
16	17	75	26.7	10.0	12.1	26.7	5.0	20		
	26	48								13
	7	200								70
	11	120								45
	17	75							32	
	26	48							22	



WPR = Working Pressure Rating, psig  
 Fabricated fittings are not fully pressure rated.  
 Call for "Technical Considerations"