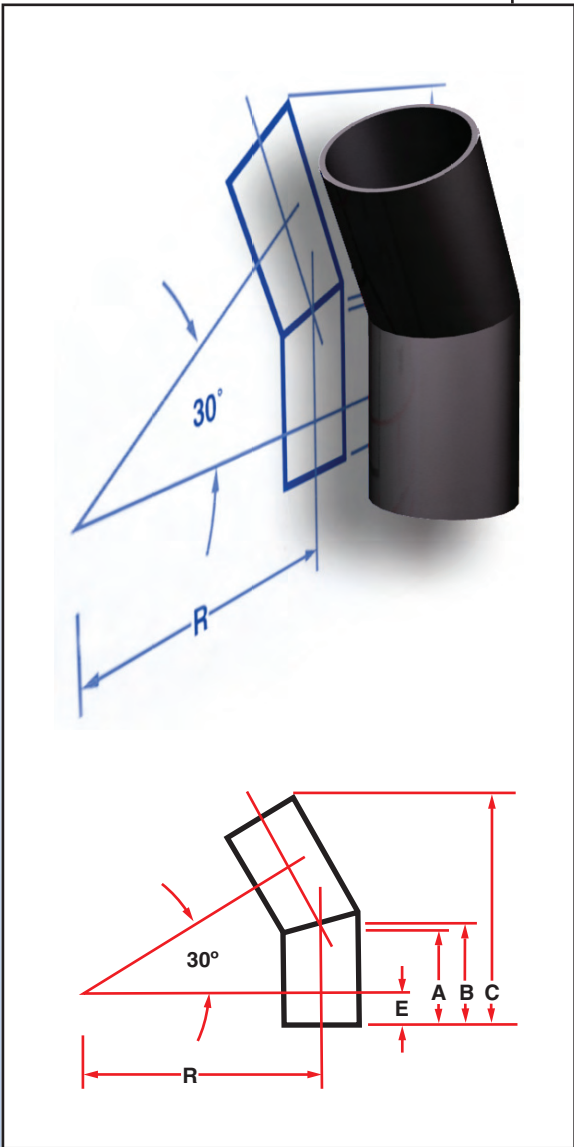




Anchorage - 5326 "A" Street Suite #3 • Anchorage, AK 99518 • (907) 677-9540 Fax (907) 677-9541
 Big Lake - Mile 3.5 South Big Lake Road • Big Lake, AK 99652 • (907) 892-8440 Fax (907) 892-8408

Nominal Size (Inch)	Standard Dimensions Ratio	WPR @ 73.4°F	Dimensions, Inches					Weight Lbs	Fabricated	
			R	A	B	C	E			
2	7	200	6.8	3.0	3.3	6.8	1.5	0.5		
	11	120								0.5
3	7	200	7.4	3.0	3.5	7.4	1.5	1		
	11	120								1
4	17	75	11.6	5.0	5.6	11.6	2.5	0.5		
	7	200								3
	11	120								2
6	17	75	14.5	6.0	6.9	15.0	3.0	8		
	7	200								5
	11	120								4
8	7	200	15.5	6.0	7.1	15.5	3.0	13		
	11	120								9
	17	75								6
	26	48								4
10	7	200	16.6	6.0	7.4	16.6	3.0	13		
	11	120								9
	17	75								6
	26	48								6
12	7	200	21.3	8.0	9.7	21.3	4.0	36		
	11	120								24
	17	75								16
	26	48								11
14	7	200	22.0	8.0	9.9	22.0	4.0	43		
	11	120								29
	17	75								20
	26	48								13
16	7	200	29.7	10.0	12.1	26.7	5.0	70		
	11	120								48
	17	75								32
	26	48								22



WPR = Working Pressure Rating, psig
 Fabricated fittings are not fully pressure rated.
 Call for "Technical Considerations"