
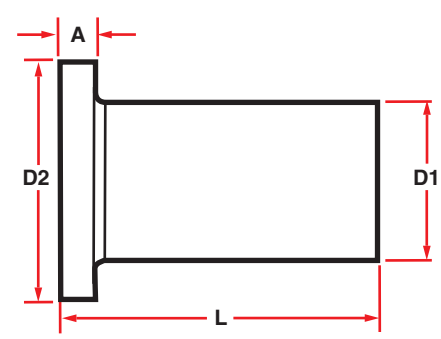




Anchorage - 5326 "A" Street Suite #3 • Anchorage, AK 99518 • (907) 677-9540 Fax (907) 677-9541
 Big Lake - Mile 3.5 South Big Lake Road • Big Lake, AK 99652 • (907) 892-8440 Fax (907) 892-8408

Nominal Size (Inch)	Standard Dimensions Ratio	WPR @ 73.4°F	Dimensions, Inches				Weight Lbs	Fabricated
			L	A	D1	D2		
2	7	267	6.0	0.4	2.37	4.0	1	 
2	11	160					1	
3	7	267	6.0	0.6	3.50	5.0	2	
3	11	160					2	
3	17	100					2	
4	7	267	6.0	0.8	4.50	6.6	3	
4	11	160					3	
4	17	100					3	
6	7	267	8.0	1.2	6.62	8.5	8	
6	11	160		0.8			7	
6	17	100					7	
6	26	64					7	
8	7	267	11.0	1.6	8.62	10.6	11	
8	11	160		0.8			10	
8	17	100					10	
8	26	64					10	
10	7	267	12.0	1.9	10.75	12.8	19	
10	11	160		1.3			18	
10	17	100		0.9			17	
10	26	64		0.8			17	
12	7	267	12.0	2.3	12.75	15.0	25	
12	11	160		1.5			24	
12	17	100		1.0			23	
12	26	64		0.8			22	
14	7	267	11.0	2.6	14.00	17.5	55	
14	11	160		1.7			40	
14	17	100		1.1			38	
16	7	267	12.0	3.0	16.00	20.0	80	
16	11	160		1.9			60	
16	17	100		1.8			45	
16	26	64		0.8			43	

WPR = Working Pressure Rating, psig