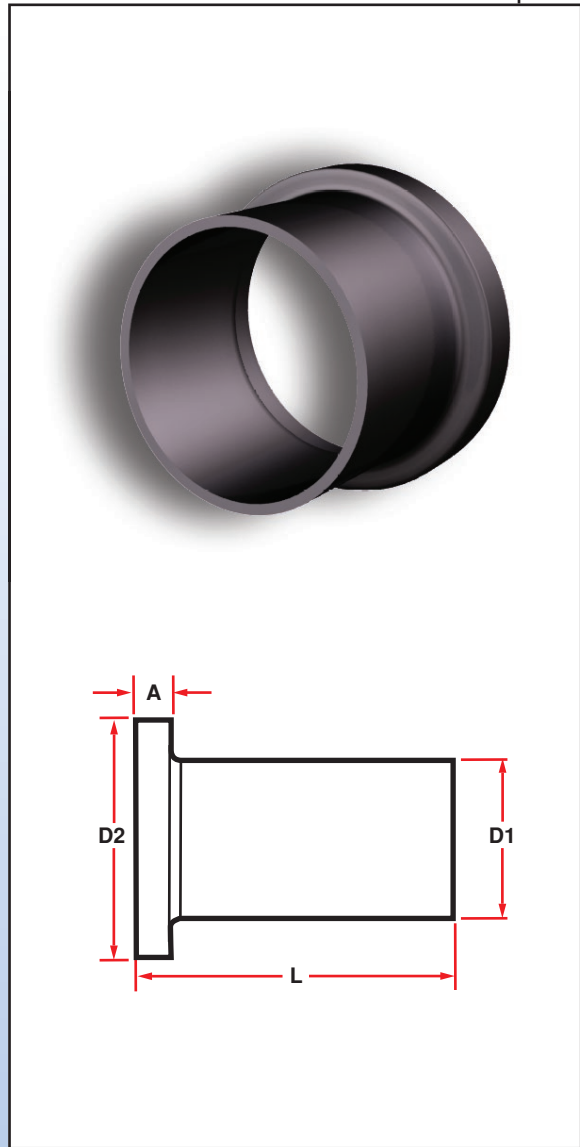




Anchorage - 1704 Ship Avenue • Anchorage, AK 99501 • (907) 677-9540 Fax (907) 677-9541  
 Big Lake - Mile 3.5 South Big Lake Road • Big Lake, AK 99652 • (907) 892-8440 Fax (907) 892-8408

| Nominal Size ( Inch ) | Standard Dimensions Ratio | WPR @ 73.4°F | Dimensions, Inches |     |       |      | Weight Lbs | Fabricated |
|-----------------------|---------------------------|--------------|--------------------|-----|-------|------|------------|------------|
|                       |                           |              | L                  | A   | D1    | D2   |            |            |
| 2                     | 7                         | 267          | 6.0                | 0.4 | 2.37  | 4.0  | 1          |            |
| 2                     | 11                        | 160          |                    |     |       |      | 1          |            |
| 3                     | 7                         | 267          | 6.0                | 0.6 | 3.50  | 5.0  | 2          |            |
| 3                     | 11                        | 160          |                    |     |       |      | 2          |            |
| 3                     | 17                        | 100          |                    |     |       |      | 2          |            |
| 4                     | 7                         | 267          | 6.0                | 0.8 | 4.50  | 6.6  | 3          |            |
| 4                     | 11                        | 160          |                    |     |       |      | 3          |            |
| 4                     | 17                        | 100          |                    |     |       |      | 3          |            |
| 6                     | 7                         | 267          | 8.0                | 1.2 | 6.62  | 8.5  | 8          |            |
| 6                     | 11                        | 160          |                    | 0.8 |       |      | 7          |            |
| 6                     | 17                        | 100          |                    |     |       |      | 7          |            |
| 6                     | 26                        | 64           |                    |     |       |      | 7          |            |
| 8                     | 7                         | 267          | 11.0               | 1.6 | 8.62  | 10.6 | 11         |            |
| 8                     | 11                        | 160          |                    | 0.8 |       |      | 10         |            |
| 8                     | 17                        | 100          |                    |     |       |      | 10         |            |
| 8                     | 26                        | 64           |                    |     |       |      | 10         |            |
| 10                    | 7                         | 267          | 12.0               | 1.9 | 10.75 | 12.8 | 19         |            |
| 10                    | 11                        | 160          |                    | 1.3 |       |      | 18         |            |
| 10                    | 17                        | 100          |                    | 0.9 |       |      | 17         |            |
| 10                    | 26                        | 64           |                    | 0.8 |       |      | 17         |            |
| 12                    | 7                         | 267          | 12.0               | 2.3 | 12.75 | 15.0 | 25         |            |
| 12                    | 11                        | 160          |                    | 1.5 |       |      | 24         |            |
| 12                    | 17                        | 100          |                    | 1.0 |       |      | 23         |            |
| 12                    | 26                        | 64           |                    | 0.8 |       |      | 22         |            |
| 14                    | 7                         | 267          | 11.0               | 2.6 | 14.00 | 17.5 | 55         |            |
| 14                    | 11                        | 160          |                    | 1.7 |       |      | 40         |            |
| 14                    | 17                        | 100          |                    | 1.1 |       |      | 38         |            |
| 16                    | 7                         | 267          | 12.0               | 3.0 | 16.00 | 20.0 | 80         |            |
| 16                    | 11                        | 160          |                    | 1.9 |       |      | 60         |            |
| 16                    | 17                        | 100          |                    | 1.8 |       |      | 45         |            |
| 16                    | 26                        | 64           |                    | 0.8 |       |      | 43         |            |



WPR = Working Pressure Rating, psig