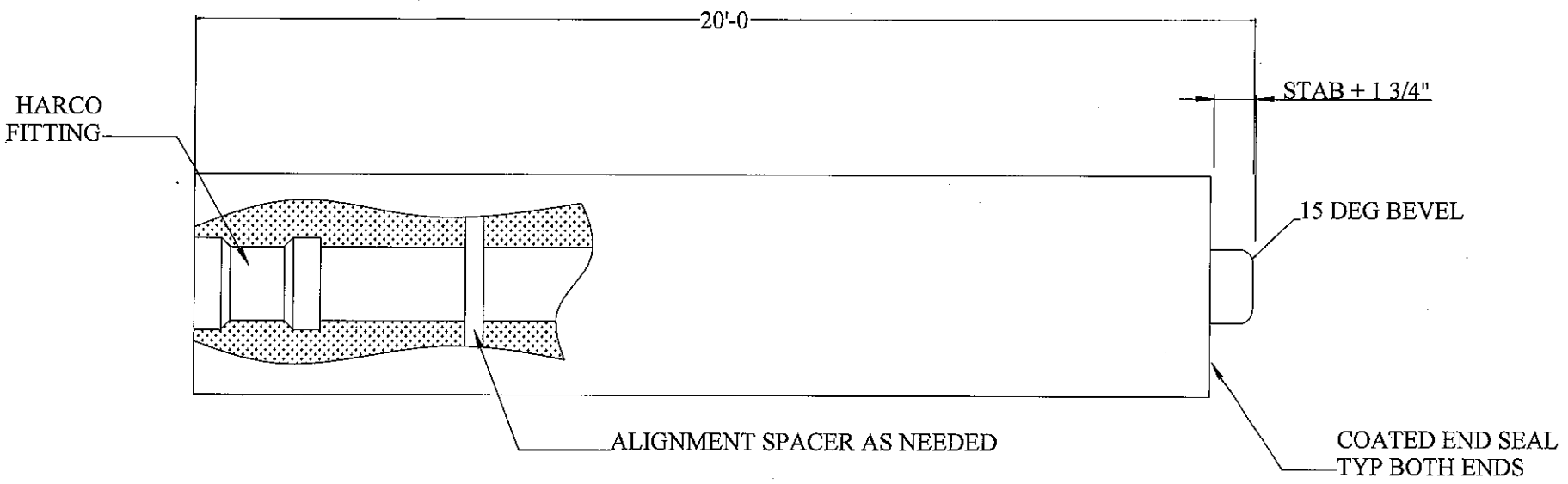
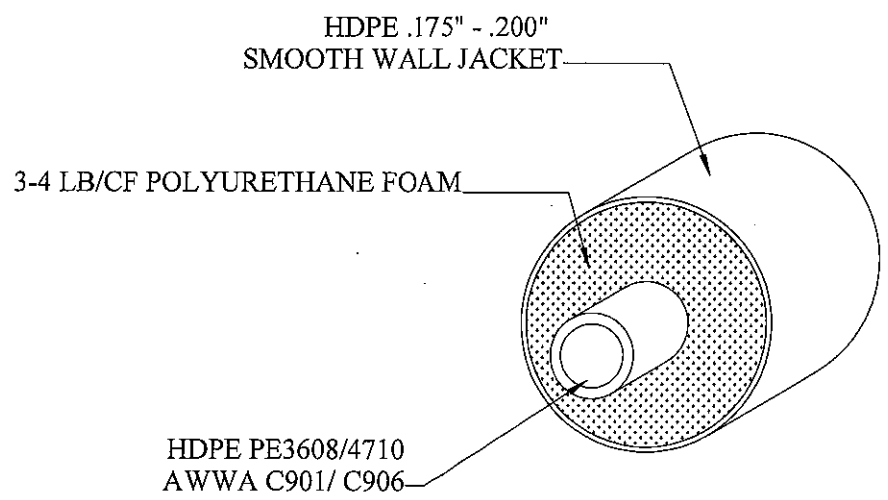


| HDPE PIPE DIAMETER | HDPE JACKET DIAMETER | WEIGHT APROX. 'LF |
|--------------------|----------------------|-------------------|
| 2.38" | 8.6" | 3.53 lb |
| 3.50" | 10.8" | 5.9 lb |
| 4.50" | 10.8" | 6.7 lb |
| 4.50" | 12.8" | 8.1 lb |
| 6.63" | 12.8" | 10.45 lb |
| 8.63" | 15.87" | 13.38 lb |
| 10.75" | 18.38" | 21.00 lb |
| 12.75" | 20.35" | 28.89 lb |

← SDR 17



- NOTES:
1. INSULATED PIPE MANUFACTURED IN SINGLE INJECTION METHOD
 2. INSULATED PIPE TO BE MARKED AT EACH END WITH MFG AND/ PRODUCTION DATE.
 3. ANTHC STANDARD TESTING TO BE PROVIDED (DENSITY, K-FACTOR, PUSH-OUT)

ARCTIC INSULATION & MANUFACTURING
THE PRE-INSULATED PIPE PEOPLE

JRD 6 JUNE 2005
NTS

STANDARD PIPE & HARCO
HDPE SMOOTH WALL JACKET